

Bringing you a whole new brand of comfort.



Enhances Room Comfort

Protects Your Home and Furnishings

Guards Against Mold and Other Contaminants



WILLIAMS

Why should I dehumidify?

Humidity is critical to room comfort because it directly impacts the body's natural ability to regulate temperature. Industry experts have determined that relative humidity levels between 30% and 60% are ideal for indoor environments. While a room's actual temperature may be considered acceptable, we tend to feel sticky or warm if the relative humidity is too high. Even worse, excess humidity doesn't just affect how we feel. It can promote the growth of mold and mildew; which over time can have negative effects on furnishings, fabrics and carpets...even our health. Aside from comfort, dust mites can also breed in conditions of high humidity. And nobody wants that!

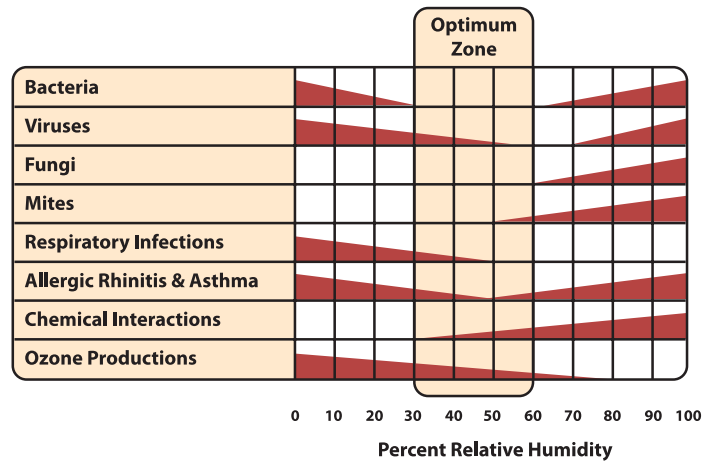


Your central system can't do it alone.

While a central cooling system will keep your home comfortable on generally warm days, air conditioning alone may not operate long enough to dehumidify your home during hot, humid weather or cooler seasons and rainy days. Plus, today's homes are more tightly constructed than ever before with vapor barriers, insulation and energy-efficient windows. As a result, cooling systems don't cycle on and off as often. To compensate for shorter, less frequent cooling cycles, people tend to lower their thermostat because they don't feel comfortable. The result is a cold, clammy feeling, not to mention wasted energy and increased utility expense. And since cooler air holds less moisture than warm air, the relative humidity within your house may actually increase.

Optimum relative humidity range to minimize harmful contaminants

(a decrease in bar height indicates a decrease in effect for each of the items)



Source: ASHRAE, Adapted from Sterling et al., 1985

Data released by the American Society of Heating, Refrigeration and Air-Conditioning Engineers (ASHRAE) demonstrates that keeping relative humidity in the optimum humidity zone limits the effects of many unwanted conditions.

Your total space solution.

The Air Sponge™ dehumidifier from Williams is designed to maintain the optimum humidity level throughout your entire home, office or wherever you choose to use it. The Air Sponge™ can be installed to operate with your central cooling system or as a stand-alone unit. Unlike noisy, portable dehumidifiers that only serve a limited range, the Air Sponge™ dehumidifier is a total space solution equipped to control excess moisture in every area of your indoor environment.



Huge 130-pint capacity per day means optimum humidity control!

With the Air Sponge™ dehumidifier from Williams, you get maximum control of excess indoor moisture, every moment of every day. Working with your central cooling system or as a stand-alone unit, the Air Sponge™ dehumidifier automatically monitors humidity to ensure the ideal level at all times.

Operates automatically

How does the Air Sponge™ know if dehumidification is needed? The unit automatically samples the room air once each hour to measure the humidity level. If required, the fan and compressor activate and continue to run until the humidity level in the air reaches the preset level. If heating or cooling is required, the Air Sponge™ simply shuts down until the air conditioner, furnace or heat pump can adjust the temperature to the desired level. Once achieved, the Air Sponge™ re-samples the room air to ensure a comfortable humidity level.

Provides effective, efficient dehumidification

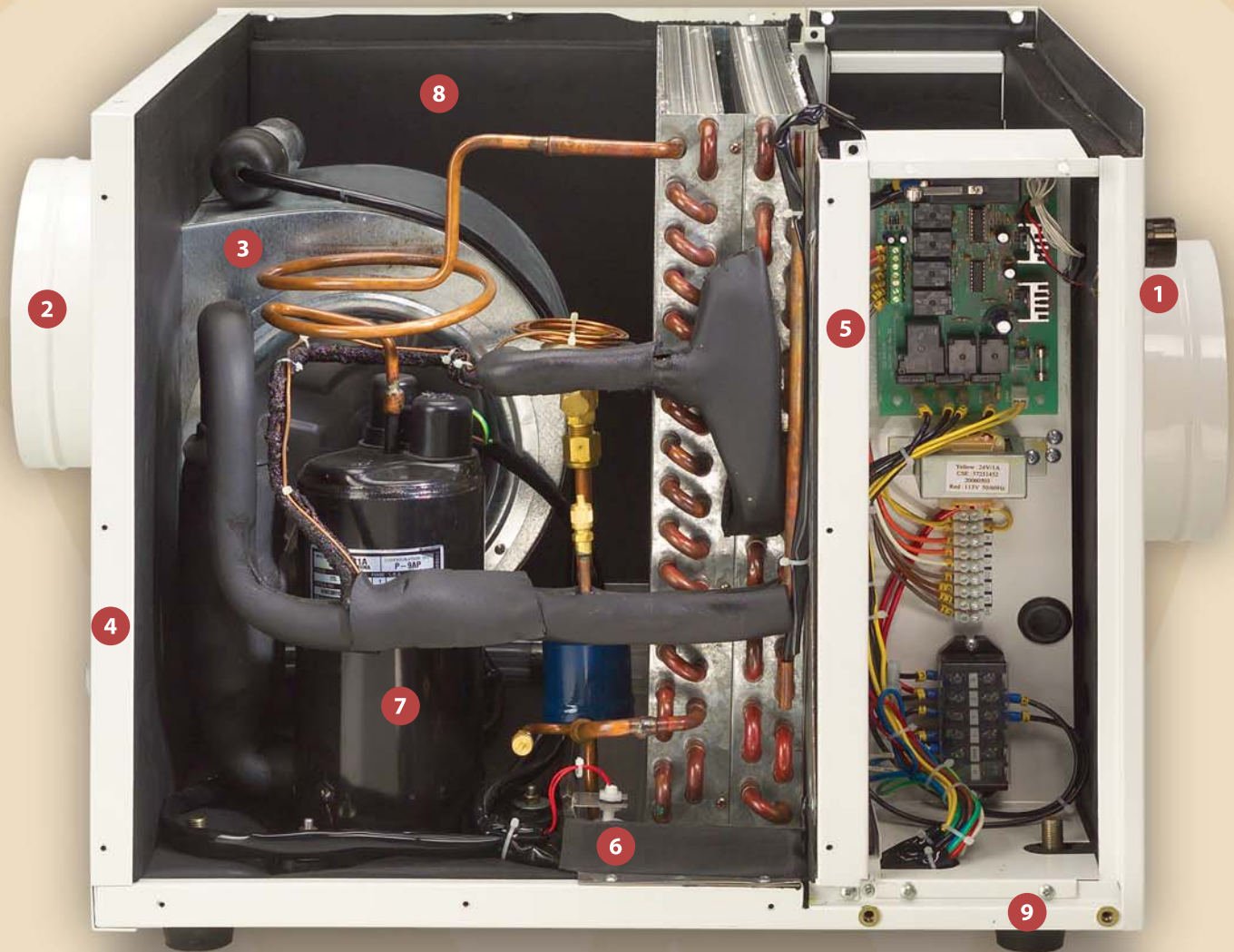
When in operation, moist air from the living space is drawn into the Air Sponge™. The filter captures airborne contaminants and the moisture condenses on the evaporator coil, much like condensation on the outside of a glass of ice water. The filtered, moisture-free air is then delivered into the living space for a cleaner, more comfortable environment.



Simple to install using existing ductwork

The Air Sponge™ can be installed as part of your central heating and air conditioning system or as a stand-alone dehumidifier. Insulated, flexible ducts are used to connect the Air Sponge™ to your air conditioner. At approximately 24 inches square, the Air Sponge™ can accommodate most any space arrangement. The unit can be suspended above ceilings or simply sit on any flat surface. Your local heating and cooling contractor can recommend the installation that best suits your particular needs.

AIR SPONGE™ FEATURES



- 1 **Unit-mounted control** - for precision control of humidity level.
- 2 **8" inlet/outlet openings** – complete with collars ready to connect to ductwork.
- 3 **Large blower** – provides maximum air flow.
- 4 **Compact cabinets** – fits easily in basements or attics.
- 5 **Auto power shutdown** – automatic door switch turns off power when door is opened.
- 6 **Float switch** – prevents overflow of water should drain lines become restricted.
- 7 **Heavy-duty compressor** – provides durable operation and long life.
- 8 **1" insulation** – minimizes noise transfer to living spaces.
- 9 **Rubber feet** – assist with proper leveling and reduced vibration.



A combination of benefits the others just don't have

The Air Sponge™ from Williams is your total solution for eliminating excess moisture. In addition to superior humidity control, the Air Sponge™ offers a universal range of benefits.

Easy-to-clean filter – durable, nylon mesh filter that's easy to access and clean.

Frost control – automatic defrost system prevents coil freeze-up.

Minimal maintenance – periodic filter cleaning keeps the unit running at peak efficiency.

Quiet operation – lined with 1" thick high density, expanded polyethylene insulation that absorbs unwanted sound. Rubber feet isolate vibration noise.

Energy efficient – since drier air is more comfortable, many will actually raise their indoor temperature setting, thereby reducing unit load and extending unit life.

Fits any size home – with its 130-pint per day capacity, the Air Sponge™ dehumidifier is effective in virtually every home, even under humid conditions.



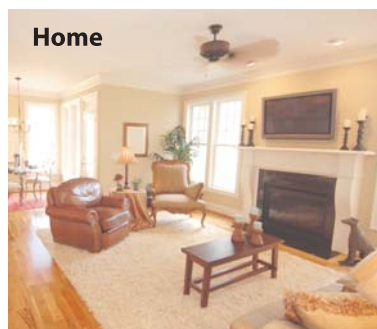
Optional accessories

Wall-mounted dehumidistat control

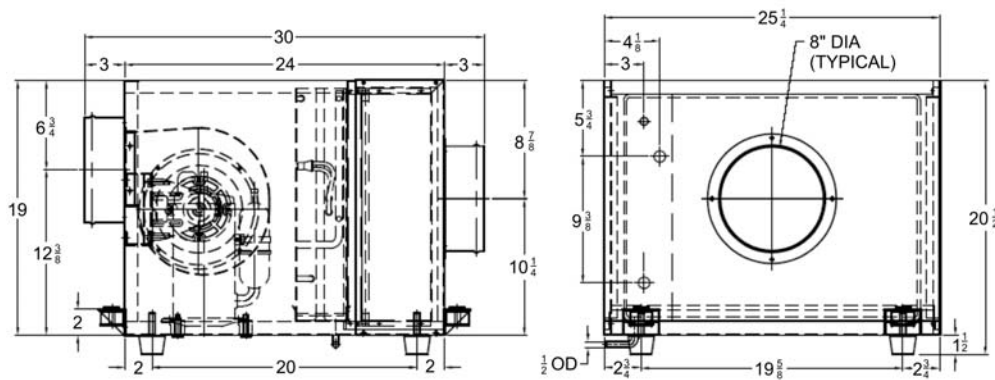
Hanger kit includes 4 brackets and 4 isolators.

Application flexibility

The Air Sponge™ dehumidifier is ideal anywhere unwanted moisture persists. It's a perfect solution for new or existing residential environments, small offices or retail suites, basements, attics or crawl spaces.



Capacity	130 pints per 24 hours @ 80°F DBT/60% RH
Power Supply	115V 60 Hz, single phase, 15 amp dedicated circuit
Compressor	Rotary: Watts 1070, RLA 9.5, LRA 61
Fan Motor	1/10 HP, 1.15 FLA
Air Flow (CFM)	400 @ .6" w.c. e.s.p.
Inlet Air Operating Cond.	40°F - 105°F
Filter	Washable nylon mesh, 17" x 23.5"
Cabinet Insulation	EPE material, 1" thick, R Value 4.5
Duct Connections	8" diameter (inlet and outlet)
Condensate Drain	1/2" O.D.
Weight	150 pounds
Dimensions	20 1/2"H (cabinet only: 19"H) x 25 1/4"W x 30"L (cabinet only: 24"L)



WARRANTY: 5 YEARS ON COMPRESSOR, 1 YEAR ON PARTS WITH CERTAIN LIMITATIONS. SEE PRINTED WARRANTY

Williams Furnace Company

250 West Laurel Street
Colton, CA 92324 USA
Tel 909.825.0993 Fax 909.824.8009

www.e-wfc.com

